

Datasheet for JibFlex: JF 100-2

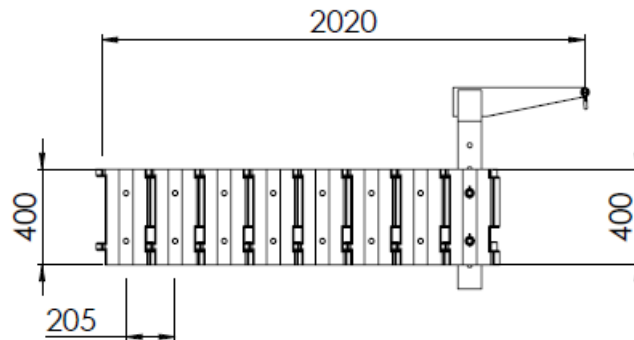


Figure 1: Basic dimensions of JF 100-2.

The lifting eye, called the stork, can be mounted in any module allowing optimization of every lift. The WLL and radius can be seen in the table below:

Module No.	1	2	3	4	5	6	7	8
Lifting Radius [m]	0.585	0.790	0.995	1.200	1.405	1.610	1.815	2.020
WLL [kg]	500	500	500	500	455	380	330	285
Profile Height [m]	0.400	0.400	0.400	0.400	0.400	0.400	0.400	0.400
Profile Mass [kg]	7.3	7.3	7.3	7.3	7.3	7.3	7.3	7.3
Deflection from WLL [m]	< 0.02	< 0.02	< 0.02	< 0.02	< 0.02	< 0.02	< 0.02	< 0.02

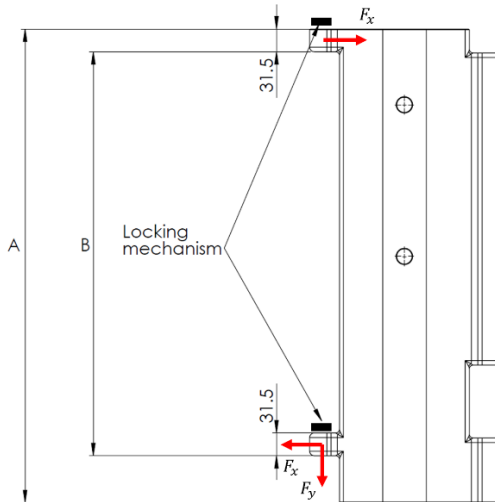


Figure 2: Following structural requirements applies to the supporting structure. The reactions are omnidirectional and without safety factor.

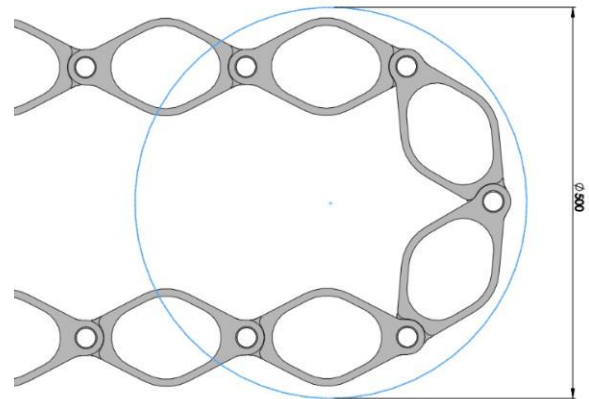


Figure 3: The JibFlex has a bending radius of 250 mm.

Specifications		
Weight of JibFlex <ul style="list-style-type: none"> • JibFlex modules • Stork • Total 	kg kg kg	57 12 69
WLL at last module	kg	285
Max crane radius	m	2
Maximum deflection cause by WLL	m	<0.02
Safety factor including DAF	-	1.95
Maximum hoist speed	m/s	Unlimited
Installation requirements <ul style="list-style-type: none"> • A • B • Fx • Fy 	m m N N	0.400 0.308 11000 2000
Bending Radius	m	0.25