

Rev: 03

JibFlex Extensions

The JibFlex is a flexible jib arm on which different lifting eyes and applications can be attached. Several standard lifting eyes have been designed for the JibFlex; however, it is possible to modify/design a new structure specifically for your application.

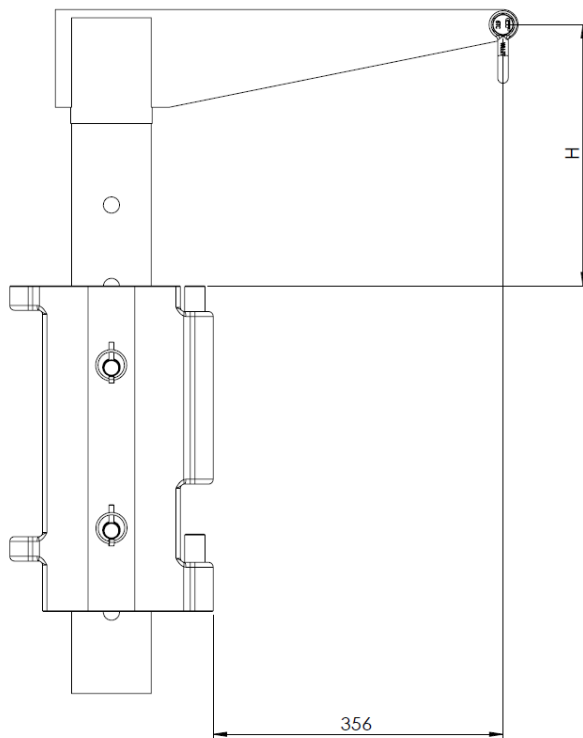
This document serves as a small catalogue for existing solutions and inspiration for additional unique solutions.

The Stork

The stork is a lifting eye designed for use in every module in a JibFlex configuration. It has a WLL of 500 kg and is inserted in the open top of the module.

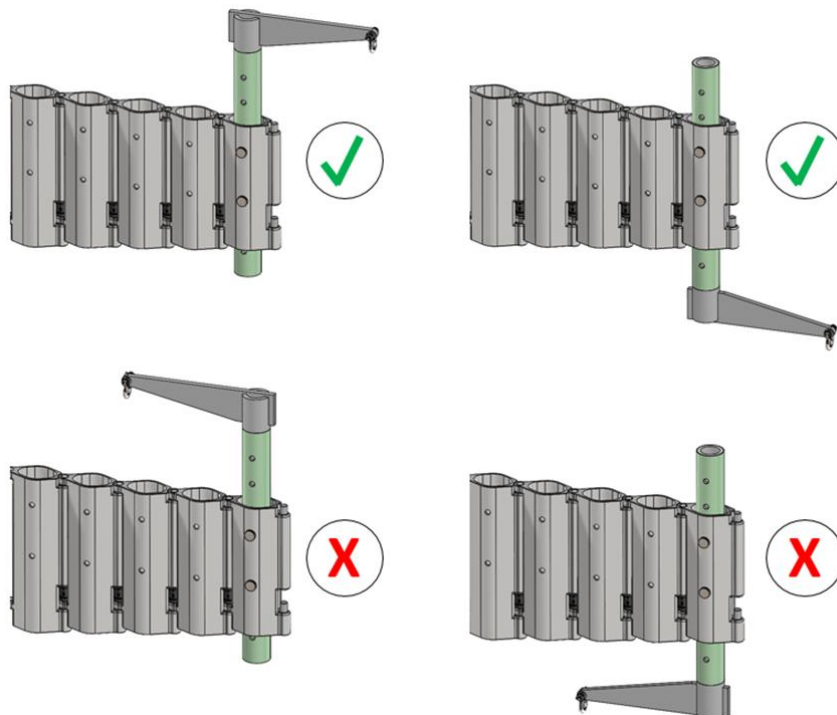


Two locking pins secure it and transfer the forces to the jib arm. The locking pins defines the height of the lifting eye. There are three standard heights of storks with respectively six, seven and eight holes. The weight of the storks is 11.2 kg, 12.2 kg and 13.2 kg respectively.



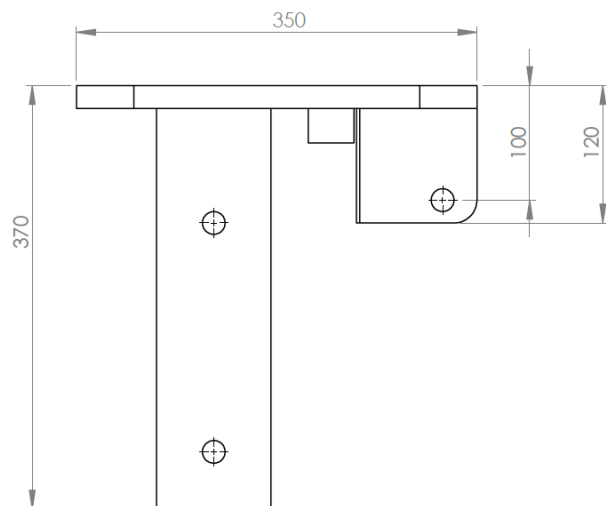
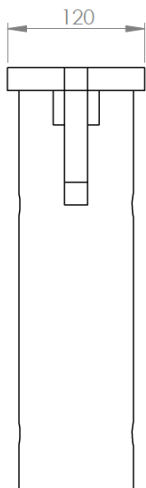
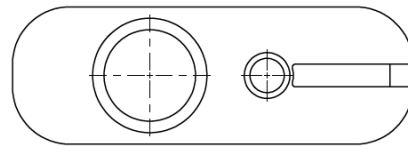
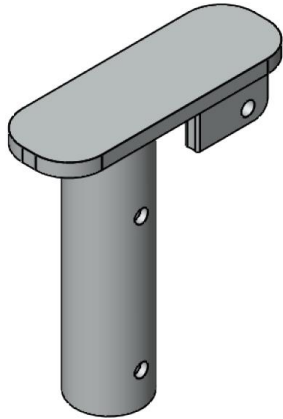
H1	120 mm
H2	220 mm
H3	320 mm
H4	420 mm
H5 (7-holed stork)	520 mm
H6 (8-holed stork)	620 mm

The stork can also be attached upside-down as shown in the following figure:



Low Clearance Lifting Eye

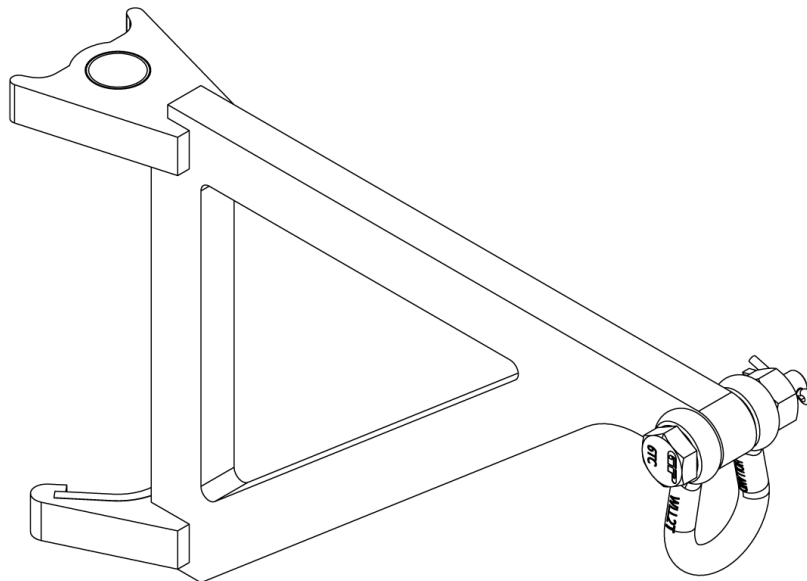
The Low Clearance Lifting Eye contributes to more flexibility, and this lifting eye is essential for higher lifts. Further, this is ideal for permanent solution.



This lifting eye has a WLL of 500 kg and can be attached in all JibFlex configurations that end with a 400 mm module. The weight of this lifting eye is 5 kg.

Small Lifting Eye

The Small Lifting Eye contributes to more flexibility, do not take up too much room and is very easy to assemble and disassemble. Therefore, this solution is ideal for non-permanent solutions.



This lifting eye has a WLL of 500 kg and can be attached in all JibFlex configurations that end with a 400 mm module. The weight of this lifting eye is 2 kg.

Your application

The JibFlex is a product under constant development, and new solutions for lifting operations are continuously being developed. Contact us and we can find a solution specifically for you.