

JibFlex Extensions

The JibFlex is a flexible jib arm on which different lifting eyes and applications can be attached. Several standard lifting-eyes have been designed for the JibFlex, however it is possible to modify/design a new structure specifically for your application.

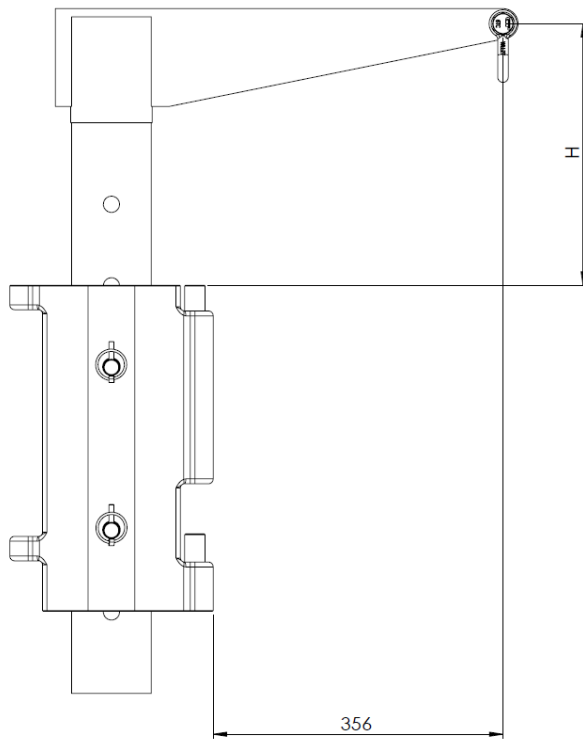
This document serves as a small catalog for existing solutions and inspiration for additional unique solutions.

The Stork

The stork is a lifting eye designed for use in every module in a JibFlex configuration. It has a WLL of 500 kg and is inserted in the open top of the module.

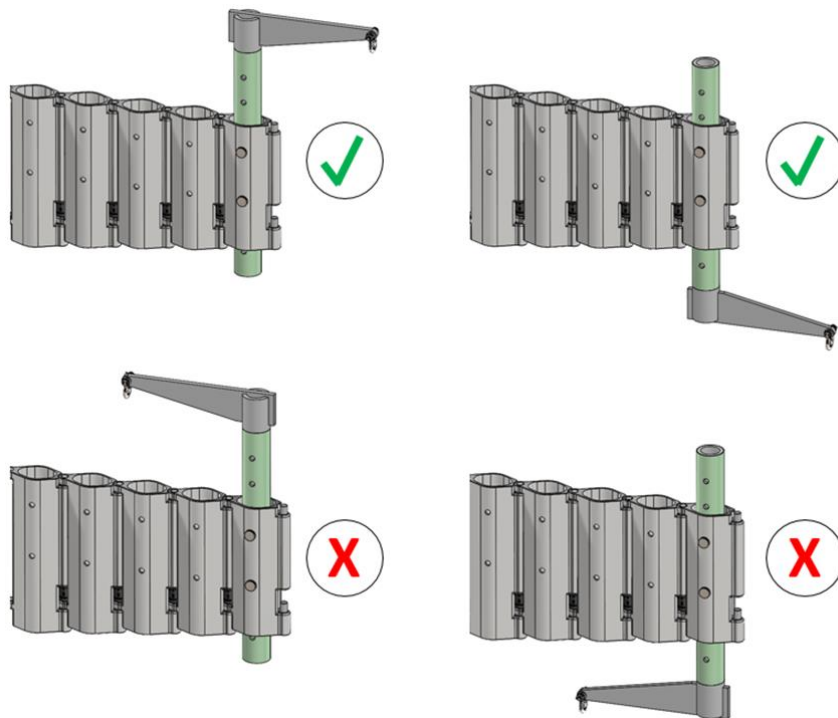


Two locking pins secures it and transfers the forces to the jib arm. The locking pins defines the height of the lifting eye. There are three standard heights of storks with respectively six, seven and eight holes. The weight of the storks are 11.2 kg, 12.2 kg and 13.2 kg respectively.



H1	120 mm
H2	220 mm
H3	320 mm
H4	420 mm
H5 (7-holed stork)	520 mm
H6 (8-holed stork)	620 mm

The stork can also be attached upside-down as shown on the following figure:



Lifting Eye for 400 mm

The stork contributes with more flexibility but may be too large for delicate lifting operations in confined spaces. A smaller lifting eye have been designed specifically for the smallest JibFlex module that has a height of 400 mm.



This lifting eye also has a WLL of 500 kg and can be attached in all JibFlex configurations that ends with a 400 mm module. The weight of this lifting eye is 4 kg.

Your application

The JibFlex is a product under constant development, and new solutions for lifting operations are continuously being developed. Contact us and we can find a solution specifically for you.